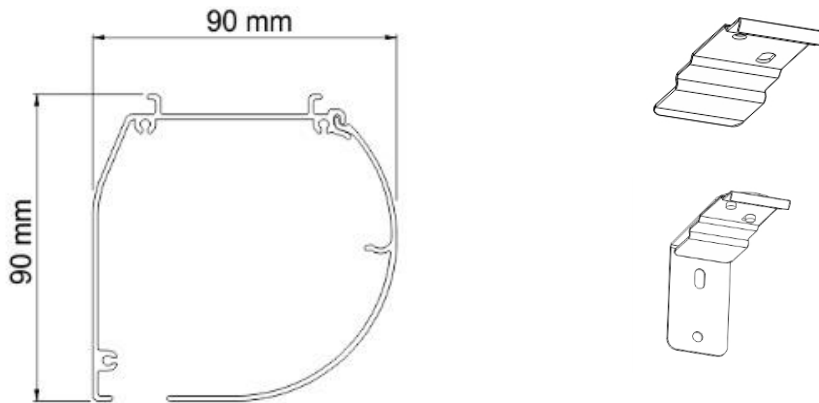


## Origin remote controlled blinds - specification sheet



Pelmet - it will be automatically supplied in same colour as your doors, unless specified otherwise.



Pelmet can be "Top fixed" or "Face fixed" by using brackets

### Motor kit

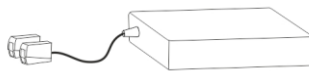
**1x tubular motor**

insert inside the tube and inside pelmet



**1x transformer**

box 110x53x30mm with wires plugged in 170x53x30mm  
Input: AC 100-240V ~ 1.8A 50-60Hz  
Output: 18-24V ---3.61 - 2.70A  
Fuse rating: T2.5A/250V



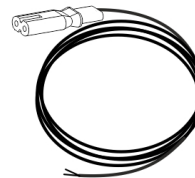
**1x speaker wire**

2.4m (it can be extended)  
when fitted in the wall, please leave  
at least 500mm out (end with the cube connector)



**1x 240V lead**

2.4m (it can be extended)



**1x remote controller**



**Origin Tip** - you can wire all blinds before installation without using any of the components above. Simply chase the speaker wire (or the like) from your reveal or wherever the blinds will take place to your power source (240V wall plug or fuse spare) where the transformer (s) will take place. Transformer should be accessible at all time. Don't forget that each motor needs one transformer.